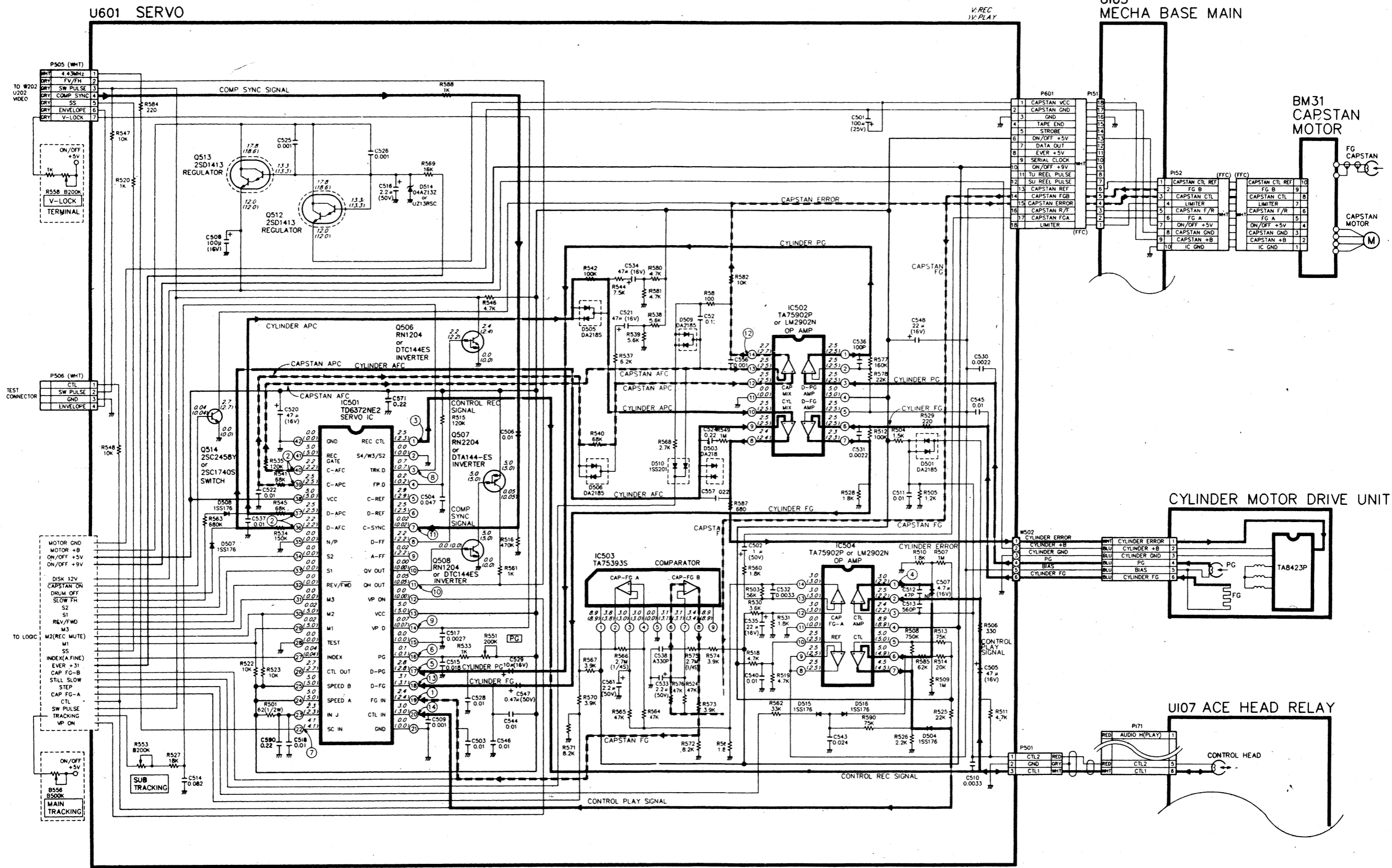
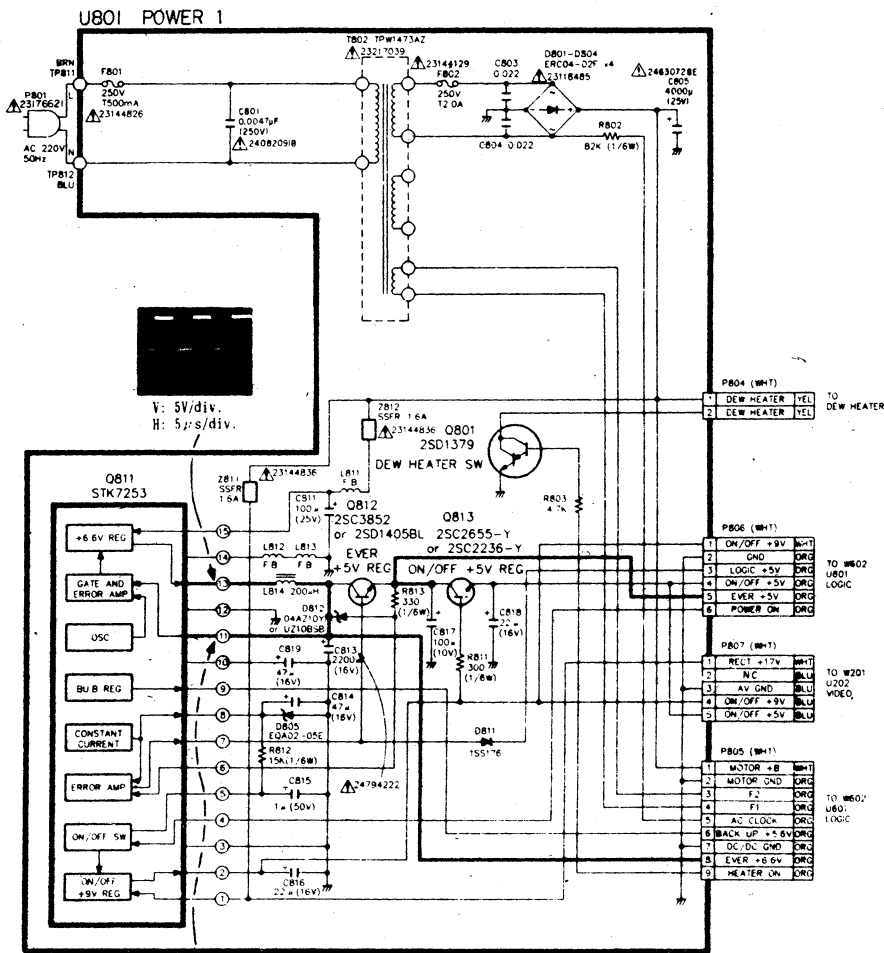


11-3. Servo Circuit



7-3. Power Supply Circuit



V: 5V/div.
H: 5μs/div.



V: 10mV/div.
H: 5μs/div.

IC811

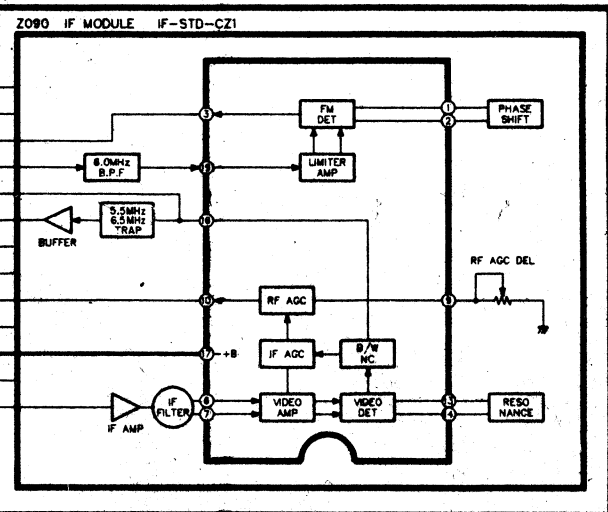
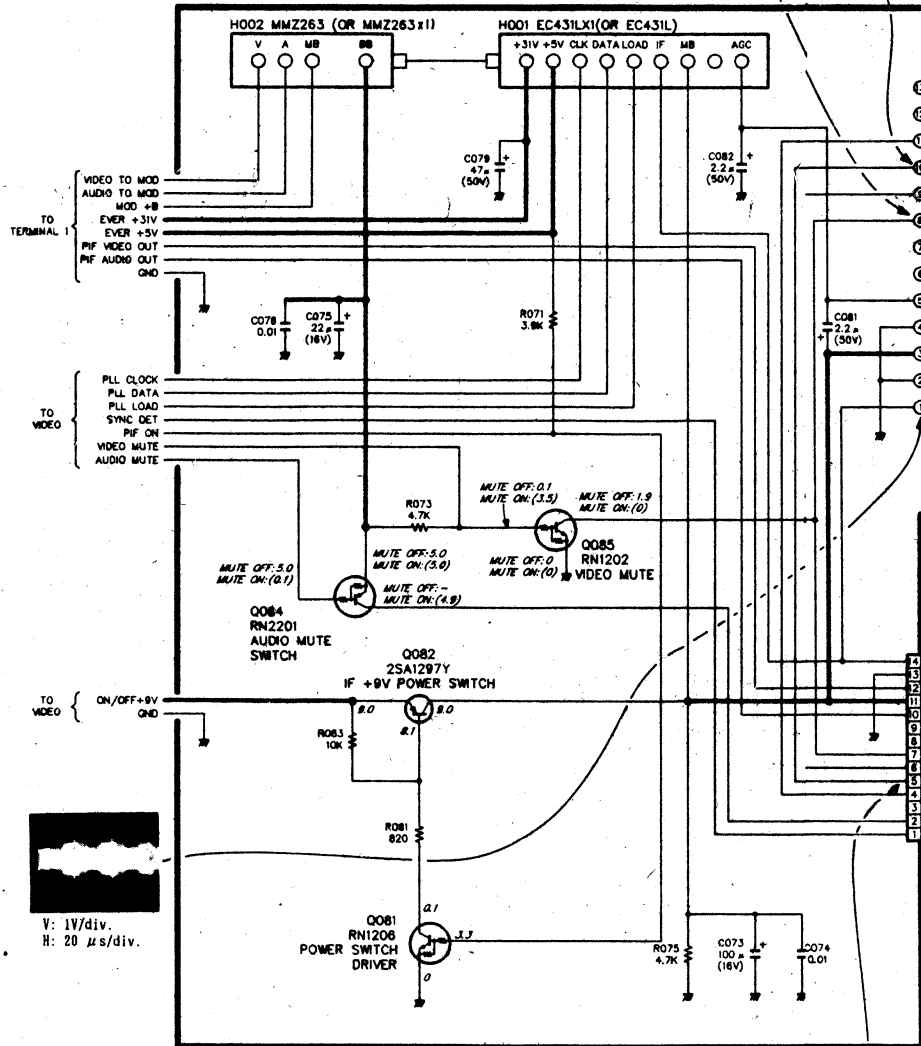
	1	2	3	4	5	6	7	8	9	10	11	12	13	14	15
STANDBY	27.0	0	-	5.5	0	4.9	5.2	4.9	5.5	7.2	6.7	-	6.7	-	27.0
EE	18.5	8.9	-	1.5	5.7	5.2	5.2	5.6	5.7	6.6	6.6	-	6.6	-	18.5
PLAY	18.0	8.9	-	1.5	5.7	5.0	5.0	5.0	5.7	7.1	6.6	-	6.6	-	18.0
REC	17.4	8.9	-	0	5.7	5.2	5.2	5.0	5.0	6.6	6.6	-	6.6	-	17.4

IC801

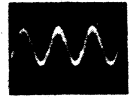
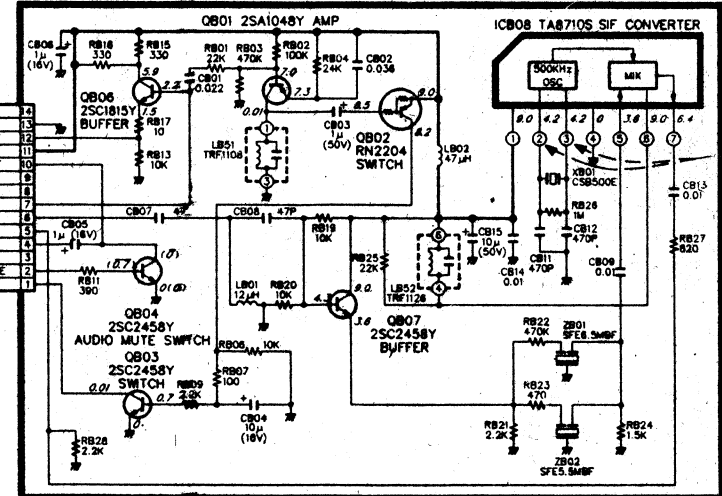
	O801			O812			O813		
	C	B	E	C	B	E	C	B	E
STANDBY	0	1.3	0	6.7	5.2	4.9	4.9	5.7	0
EE	18.5	0	0	6.6	5.6	5.0	5.0	5.7	5.0
PLAY	18.0	0	0	6.6	5.6	5.0	5.0	5.7	5.0
REC	17.4	0	0	6.6	5.6	5.0	5.0	5.7	5.0

PIF Circuit

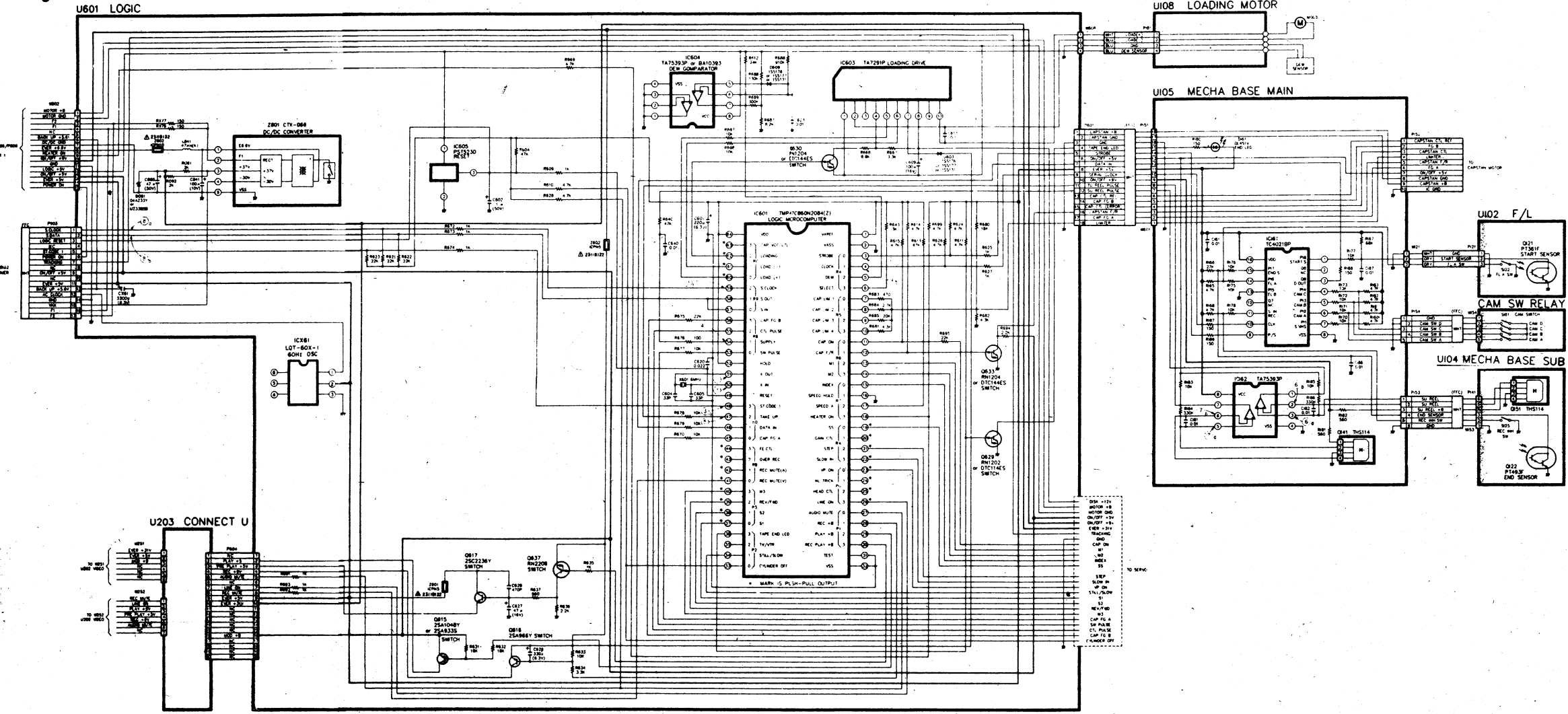
U202 PIF



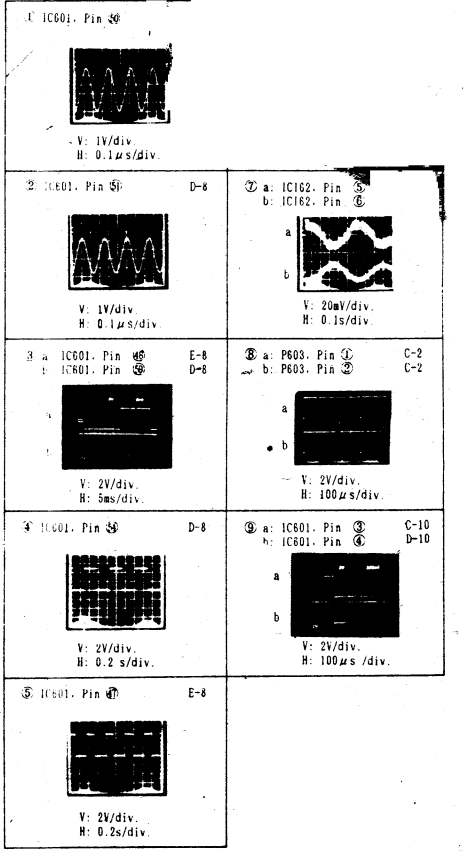
UB01 PIF SECOND



1-2. Logic Circuit



Logic Circuit Waveforms



13-2. Audio Circuit

A

U701 CONVENTIONAL AUDIO

V: REC MODE
() V: PLAY MODE

U002 AUDIO

V: REC MODE
() V: PLAY MODE

B

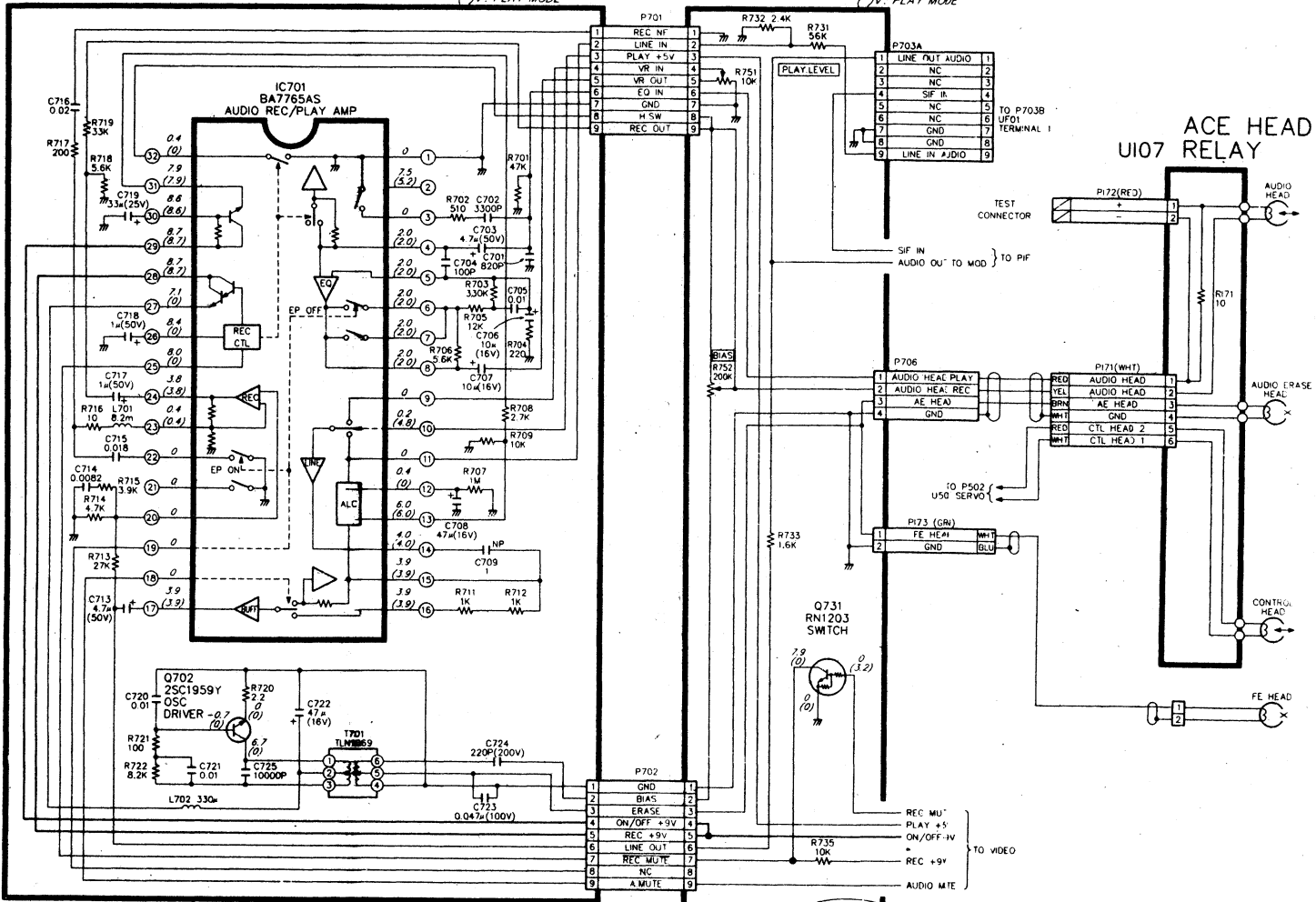
C

D

E

F

G



ACE HEAD RELAY UI07

TEST CONNECTOR

SIF IN AUDIO OUT TO WOD TO PHF

TO P502 USO SERVO

TO VIDEO

AUDIO MUTE

12-3. Video Circuit

U202 VIDEO

UV01 PREAMP

UFO1 TERMINAL

A

B

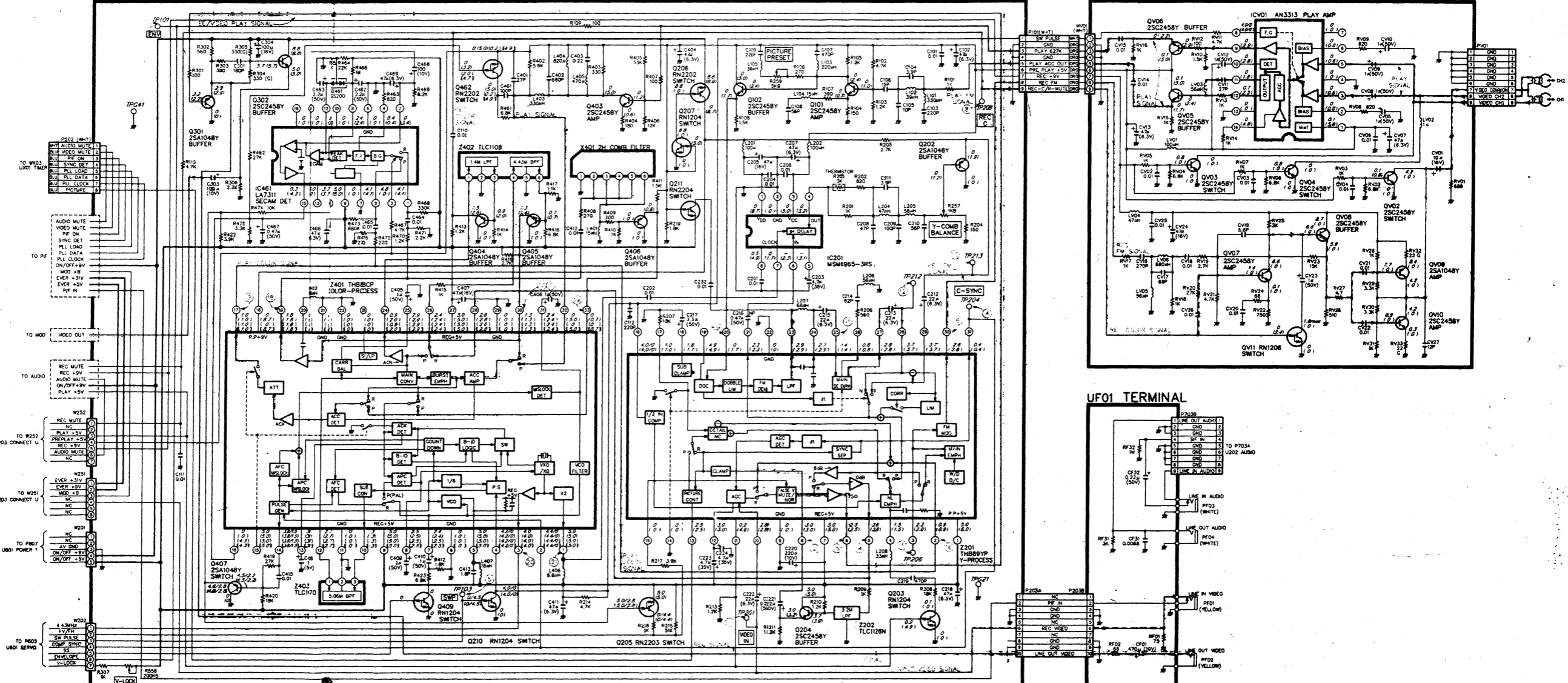
C

D

E

F

G



Timer Circuit

UX01 TIMER

